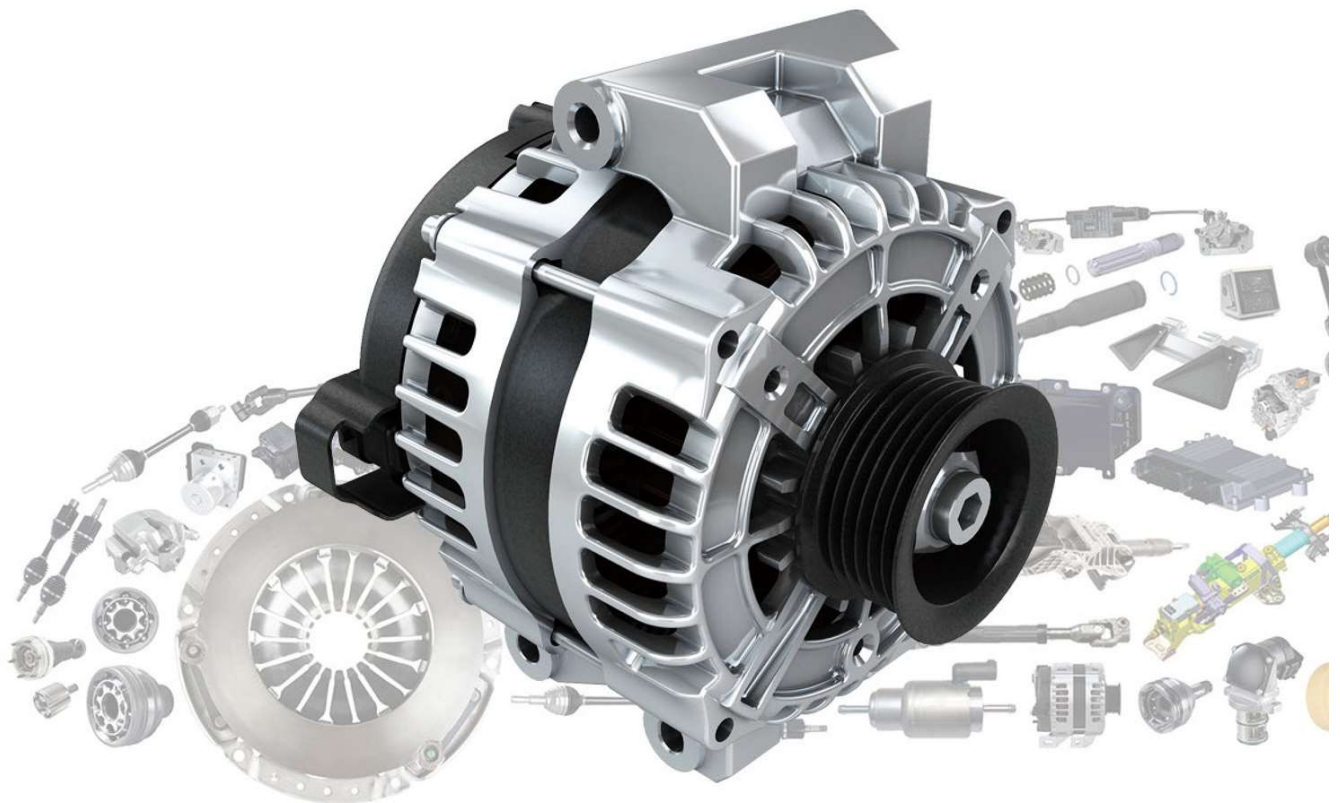




For
**Technology,
Quality & Value**

Alternator



New NP Series Alternator

Regulator

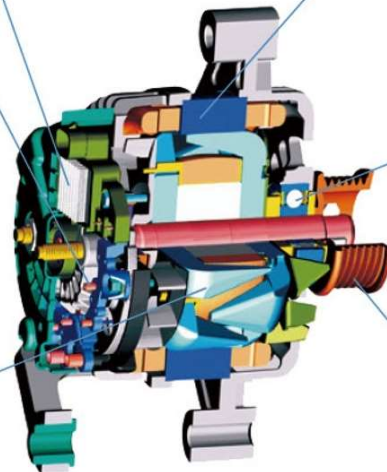
- Integrated Regulator
- No Brush Jam Design
- One Chip / Multi Functions

Rectifier

- High Heat Capability
- Press-fit Diodes
- Optimized Thermal Design
- Robust Design
- Tubular Terminal Bridge
- Metal Stack-up Design

Rotor

- Increased Electromagnetic Force
- Low Moment of Inertia
- Epoxy Molded Coil Connection
- Noise Tuned Segments



Stator

- High Fill Factor Winding
- Electrical Grade Steel
- Corrosion Protection Painting
- Bar Wire & Segment Conductor (UQ model)

Ball Bearing

- High Operation Durability
- High Temperature
- High Belt Load Capacity

Pulley

- OAP, OAD, Solid Pulley



Features

- Increased output and efficiency
- Several size ranges
- Up to 200Amps (Air-cooled)
- High temperature capability
- Packaging flexibility
- Long service life

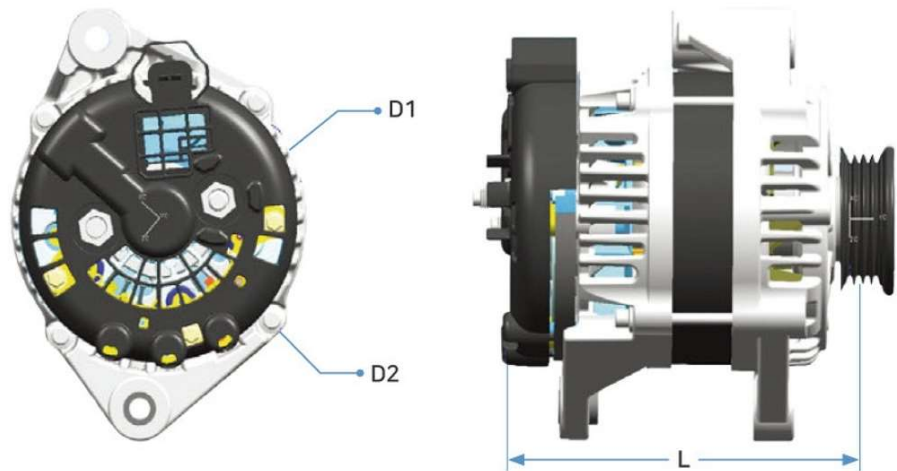
Customer Benefits

- Increased efficiency up to 80%
- Superior performance in light weight and compact sizes
- Improved performance and durability at higher temperature, 125°C
- Reduced magnetic and mechanical noise
- System integration (ECU communication type)
- 150,000 miles durability service life
- Ultra quiet noise level (UQ Model)

Regulator Types Available

- Conventional Type : Fixed Setting Voltage
- ECU (Electronic Control Unit) Communication Type
 - Setting voltage controlled by PWM signal (RVC, C-terminal, etc)
 - Setting voltage controlled by LIN protocol

• Specification



MODEL		NP08	NP10	NP14	NP16	NP13Q	NP16Q	NP18Q	
		High Efficiency				Ultra Quiet			
Performance (Amp@1,800 / 6,500rpm@14V,25°C)		40/90	50/100	76/140	90/160	76/150	85/160	90/180	
Temperature Capability (°C)		125							
Package (mm)	D1	120	126	142	148	136	136	136	
	D2	133	144	156	165	146	146	146	
	L	140	140	140	142	130	130	132	
Rotor Inertia (kg·cm ²)		15	15	32	36	26	26	28	
VDA Efficiency (%)		64	6	67	67	72	72	72	
Typical Mass (kg)		4.5	5.2	6.2	6.9	5.8	5.8	6.0	
Noise (dB)		Standard				Ultra Quiet			
Speed Capability(rpm) (Continuous / Intermittent)		18,000 / 21,000							

※ Note : VDA Efficiency = $[0.25*N(1800)] + [0.40*N(3000)] + [0.25*N(6000)] + [0.1*N(10000)]$ where N(1800), N(3000), N(6000), N(10000) are alternator efficiency values obtained at each of alternator rpm at 25°C when supplying 50% of rated current at 6000rpm

Contact Point

T. +82 70 8678 7005 E. jiun.kim@eraeams.com

T. +82 70 8678 7006 E. keunhong.kim@eraeams.com



**For Technology,
Quality & Value
Start with ERAE AMS**